

Filed: October 5, 2001

Inventors: Muradian et al.

Docket No.: HEUR-009CIP

Page 1 of 14

Express mail: ET527025778US

Attorney: Michael A. Blake

Sierra Patent Group, Ltd.

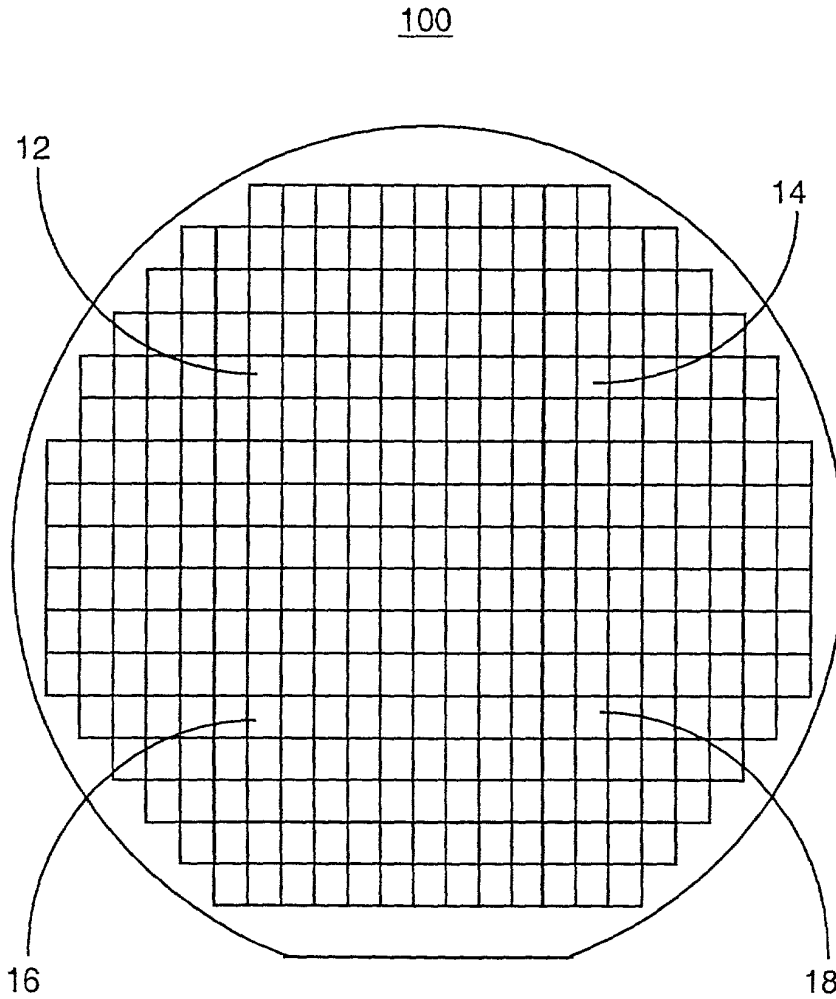


Figure 1

FOR FILING

Filed: October 5, 2001

Inventors: Muradian et al.

Express mail: ET527025778US

Docket No.: HEUR-009CIP

Attorney: Michael A. Blake

Page 2 of 14

Sierra Patent Group, Ltd.

20

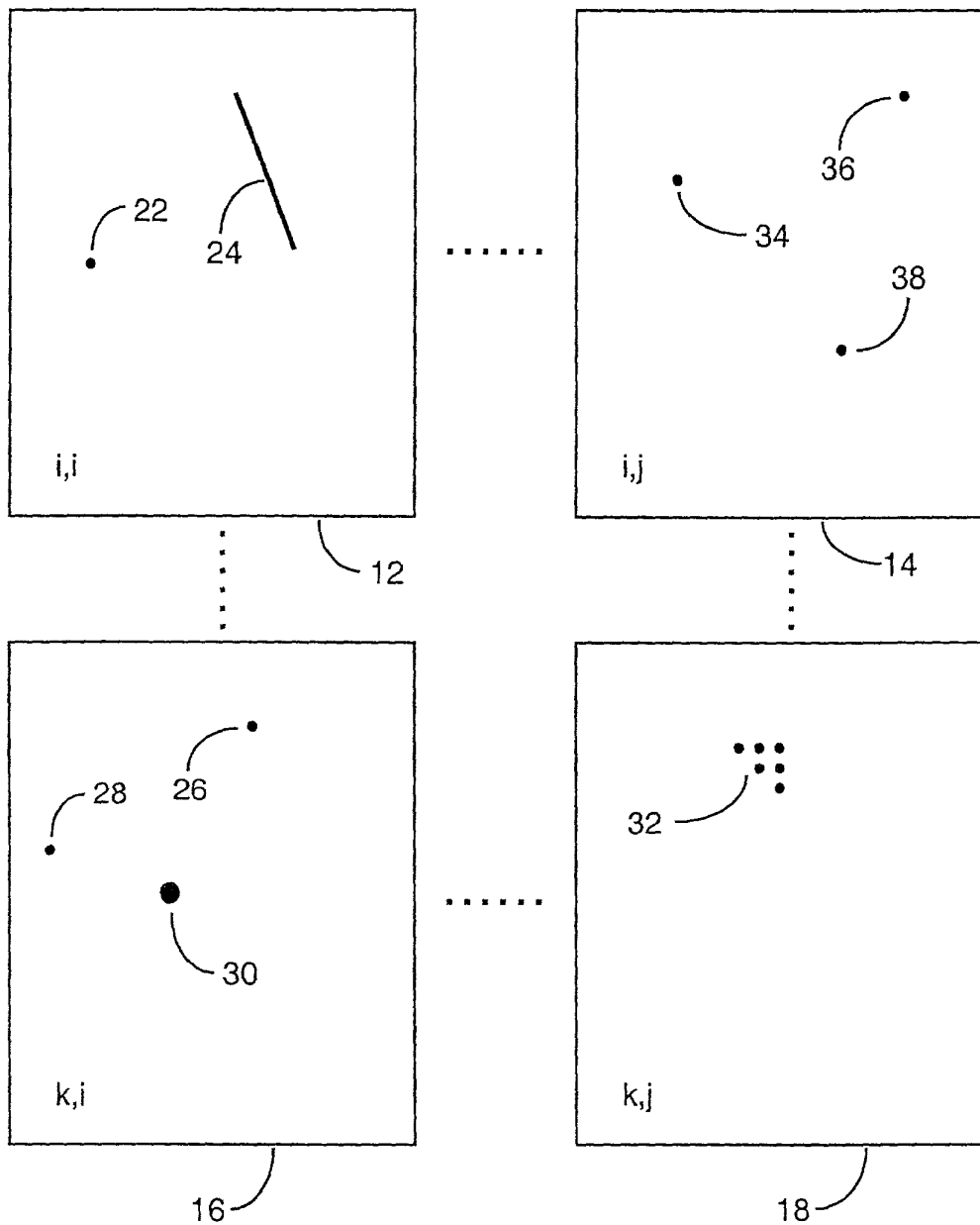


Figure 2

FOOTPRINT 242660

Filed: October 5, 2001

Inventors: Muradian et al.
Docket No.: HEUR-009CIP
Page 3 of 14

Express mail: ET527025778US
Attorney: Michael A. Blake
Sierra Patent Group, Ltd.

40

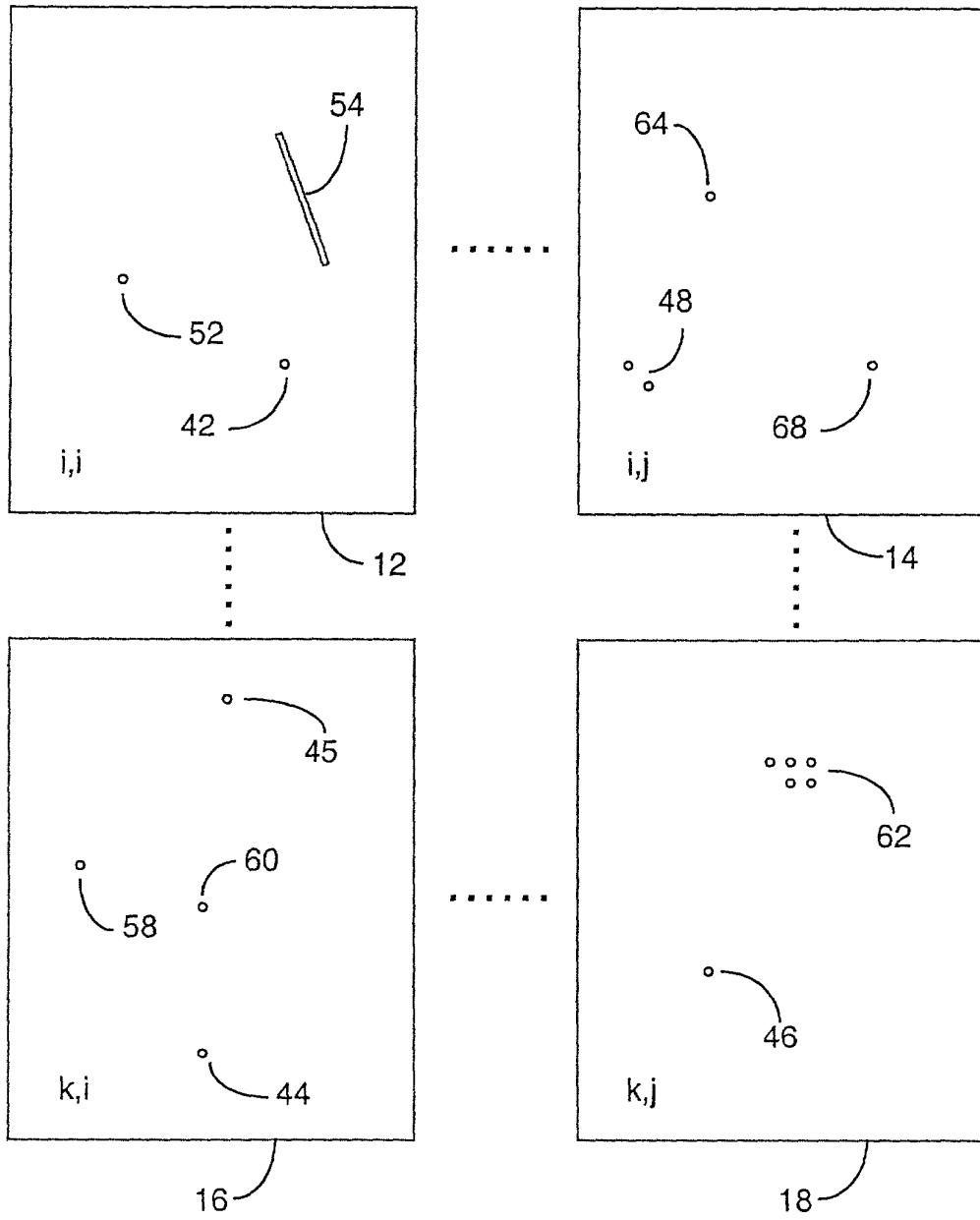


Figure 3

FOR FILE

Filed: October 5, 2001

Inventors: Muradian et al.

Express mail: ET527025778US

Docket No.: HEUR-009CIP

Attorney: Michael A. Blake

Page 4 of 14

Sierra Patent Group, Ltd.

70

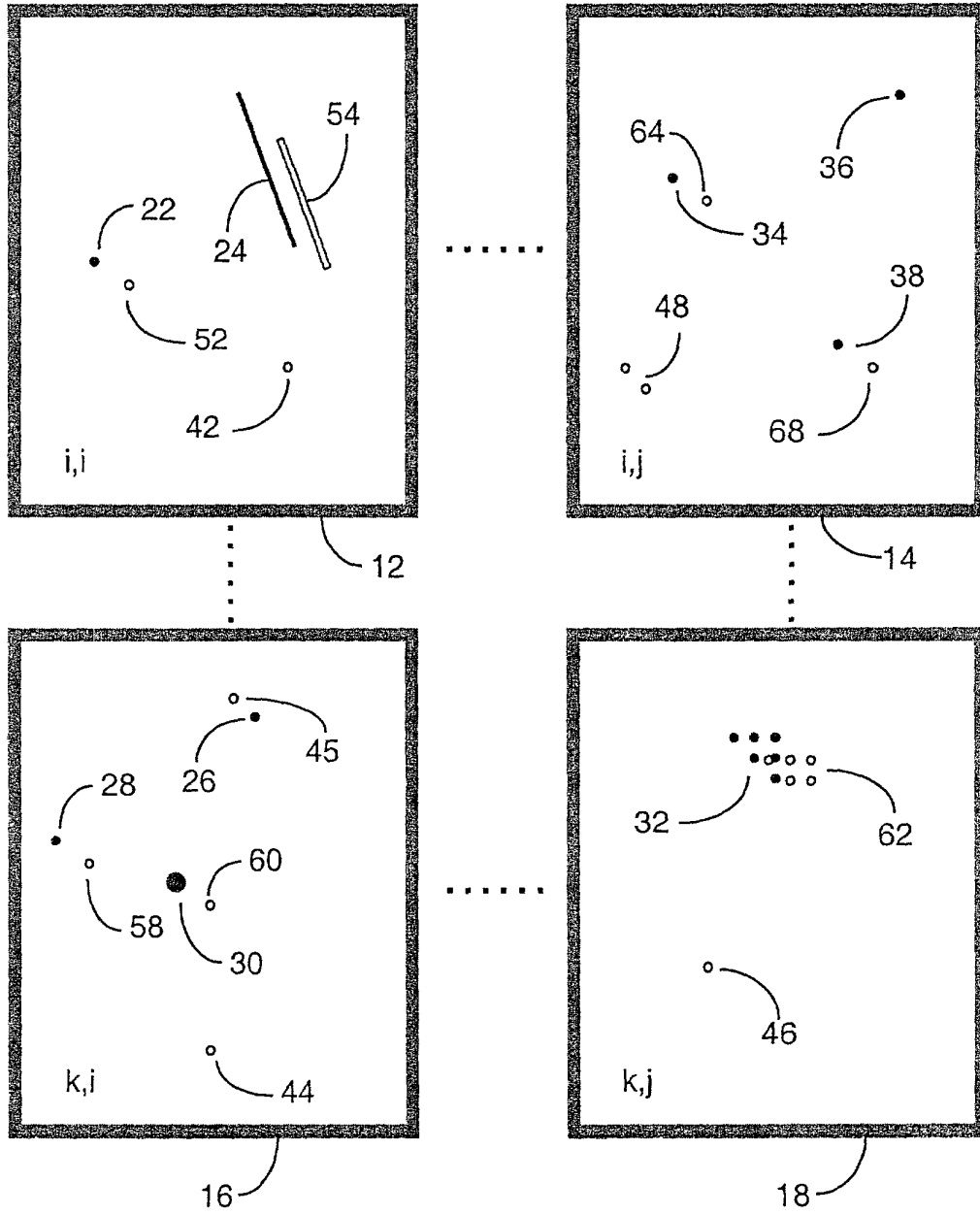


Figure 4

FOUO 2722560

Filed: October 5, 2001

Inventors: Muradian et al.

Docket No.: HEUR-009CIP

Page 5 of 14

Express mail: ET527025778US

Attorney: Michael A. Blake

Sierra Patent Group, Ltd.

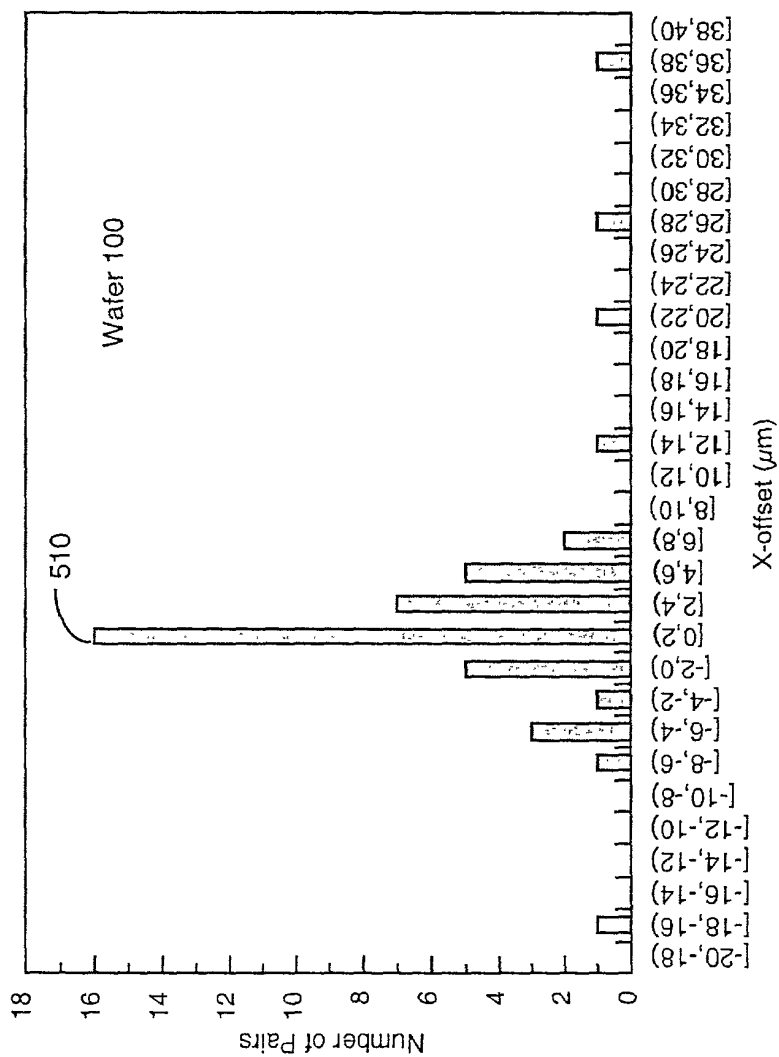


Figure 5

FOR OFFICIAL USE ONLY

Filed: October 5, 2001

Inventors: Muradian et al.

Express mail: ET527025778US

Docket No.: HEUR-009CIP

Attorney: Michael A. Blake

Page 6 of 14

Sierra Patent Group, Ltd.

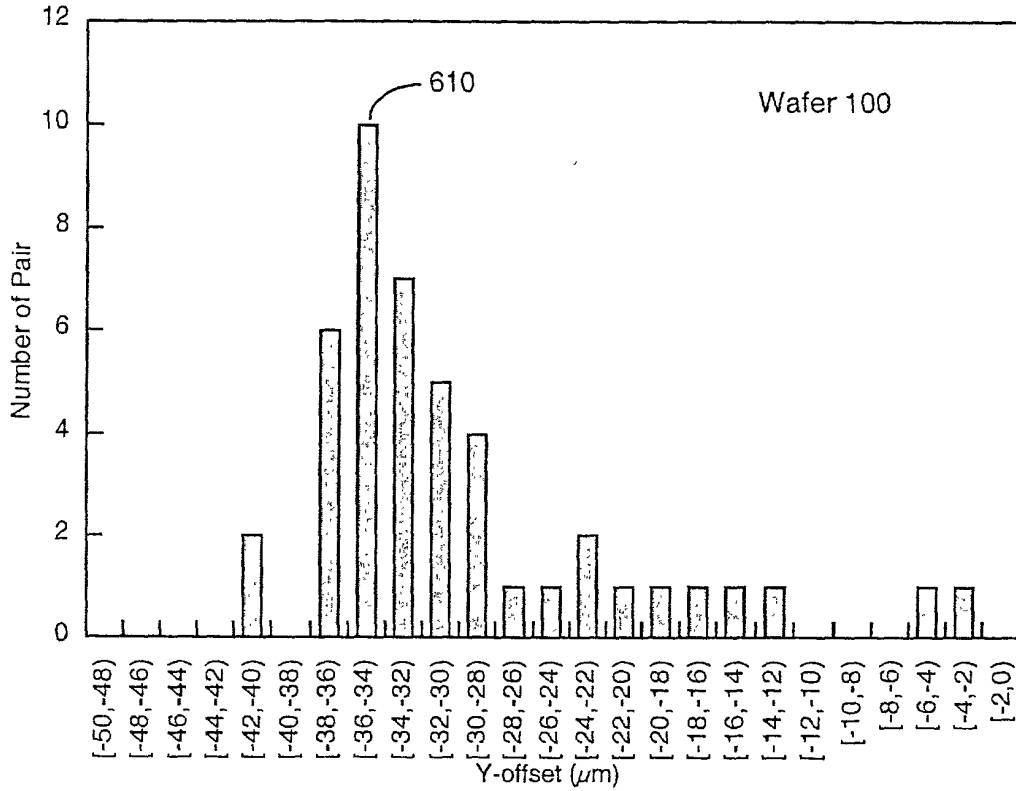


Figure 6

FORGET "ET527025778US"

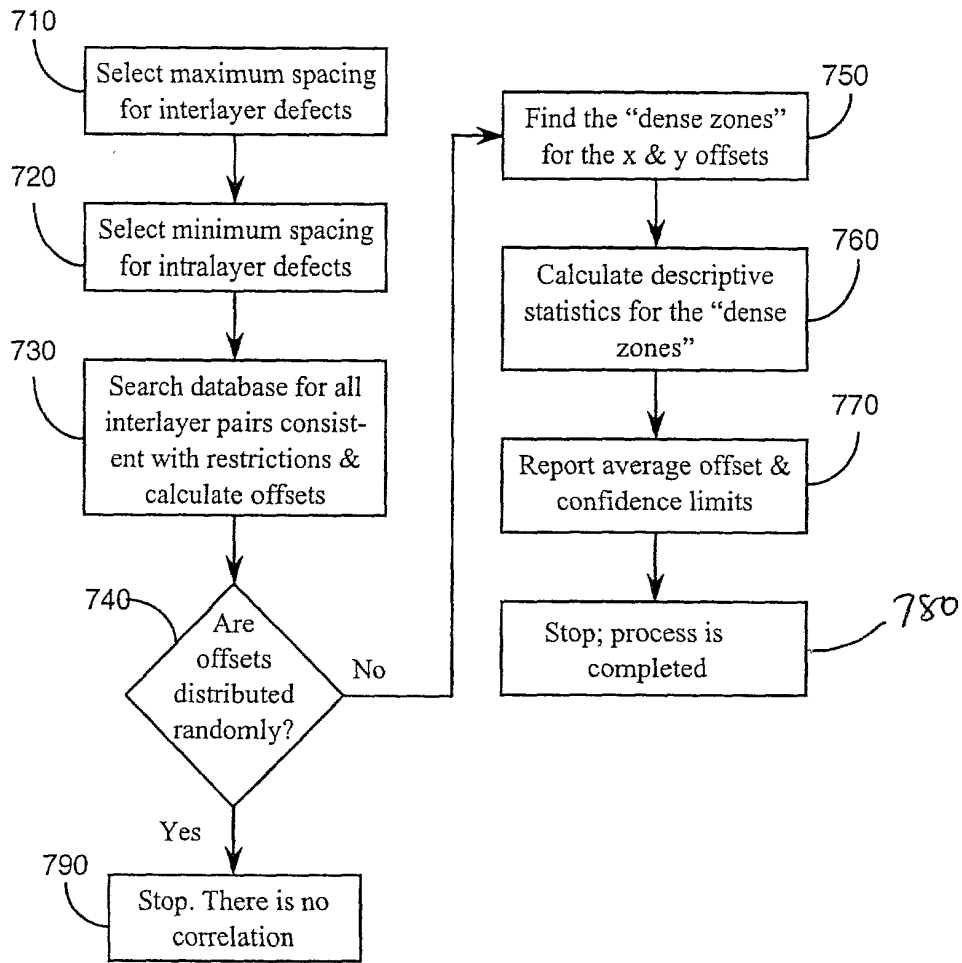


Figure 7

FOOTER "ET527025778US"

Filed: October 5, 2001

Inventors: Muradian et al.

Express mail: ET527025778US

Docket No.: HEUR-009CIP

Attorney: Michael A. Blake

Page 8 of 14

Sierra Patent Group, Ltd.

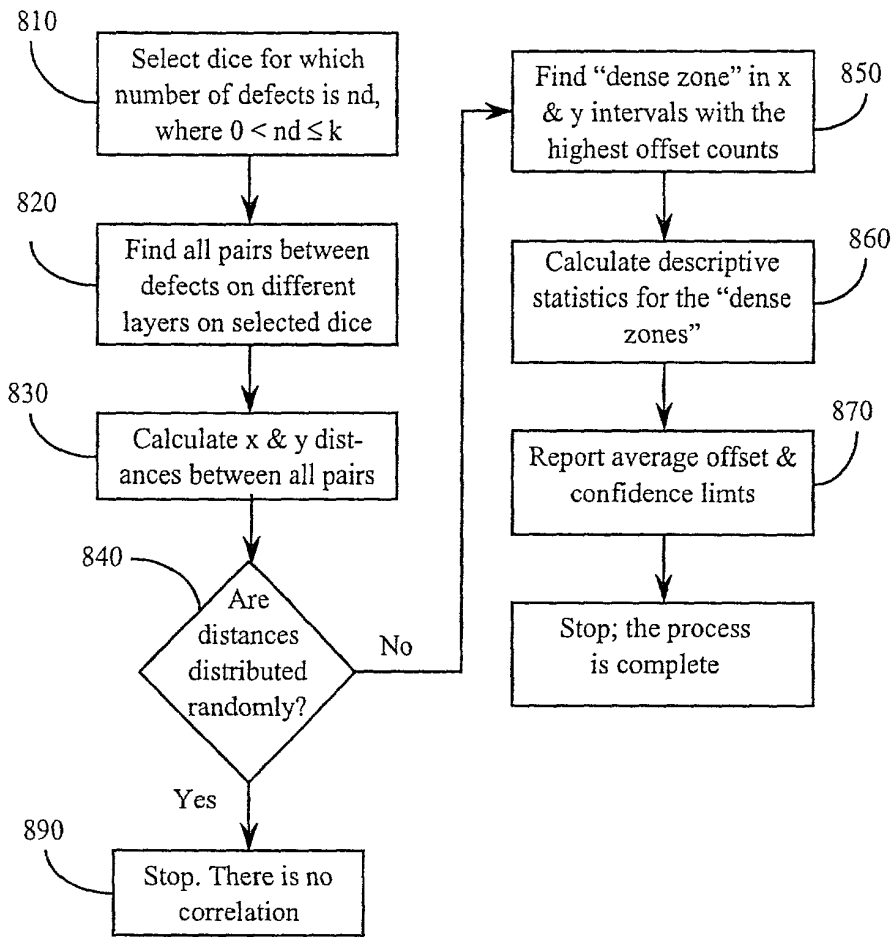


Figure 8

FOOTNOTES

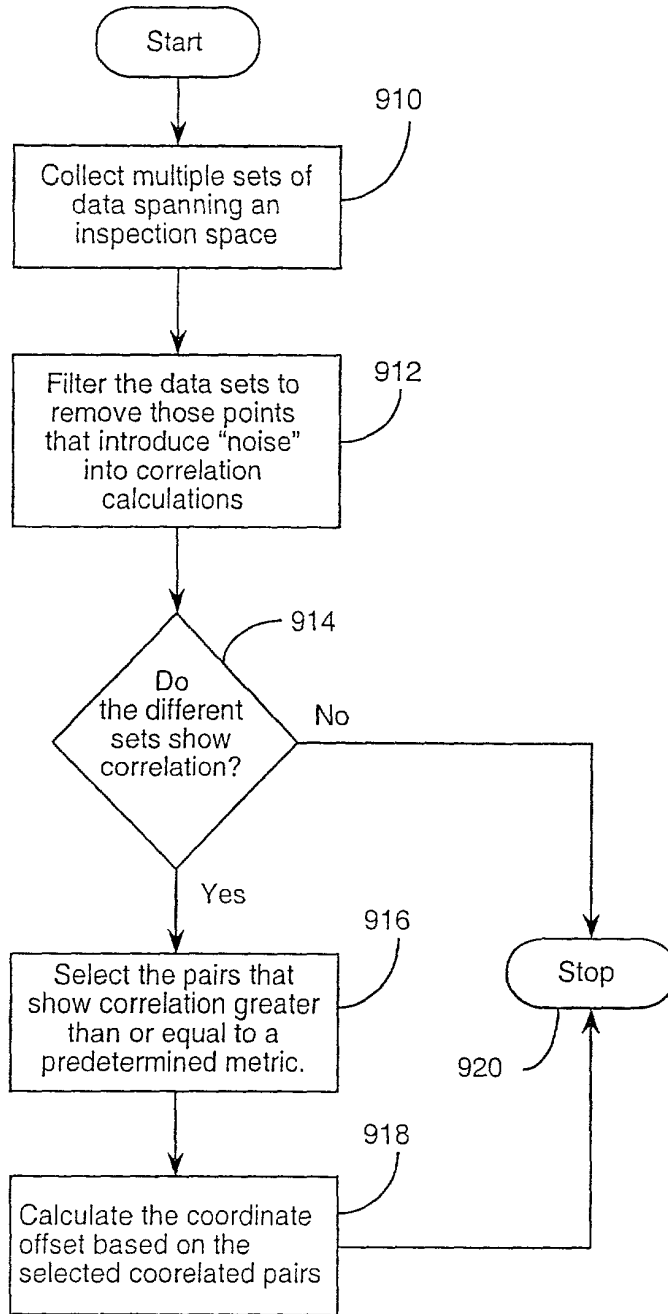


Figure 9

TO SOUTHERN

Filed: October 5, 2001

Inventors: Muradian et al.

Express mail: ET527025778US

Docket No.: HEUR-009CIP

Attorney: Michael A. Blake

Page 10 of 14

Sierra Patent Group, Ltd.

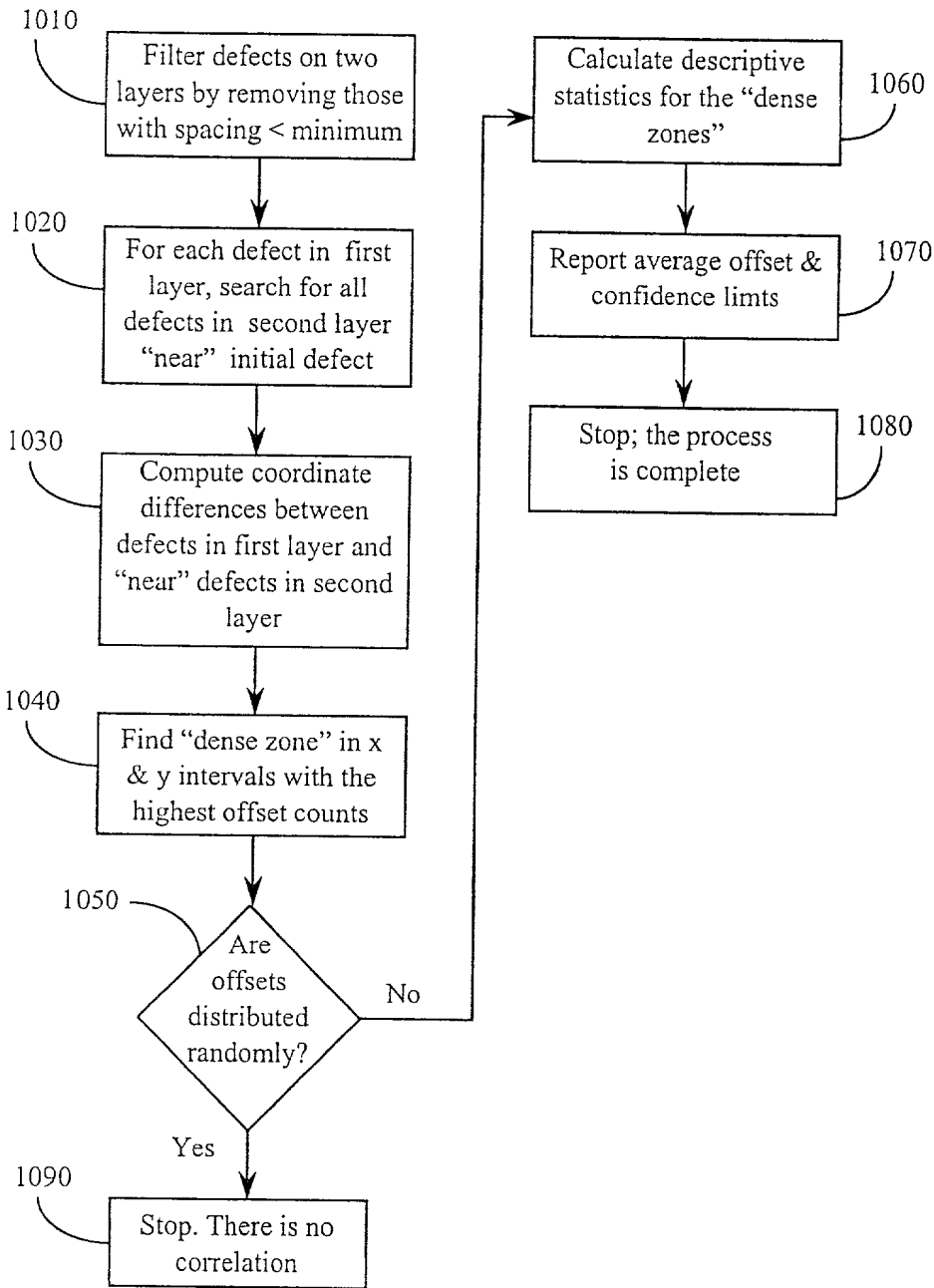


Figure 10

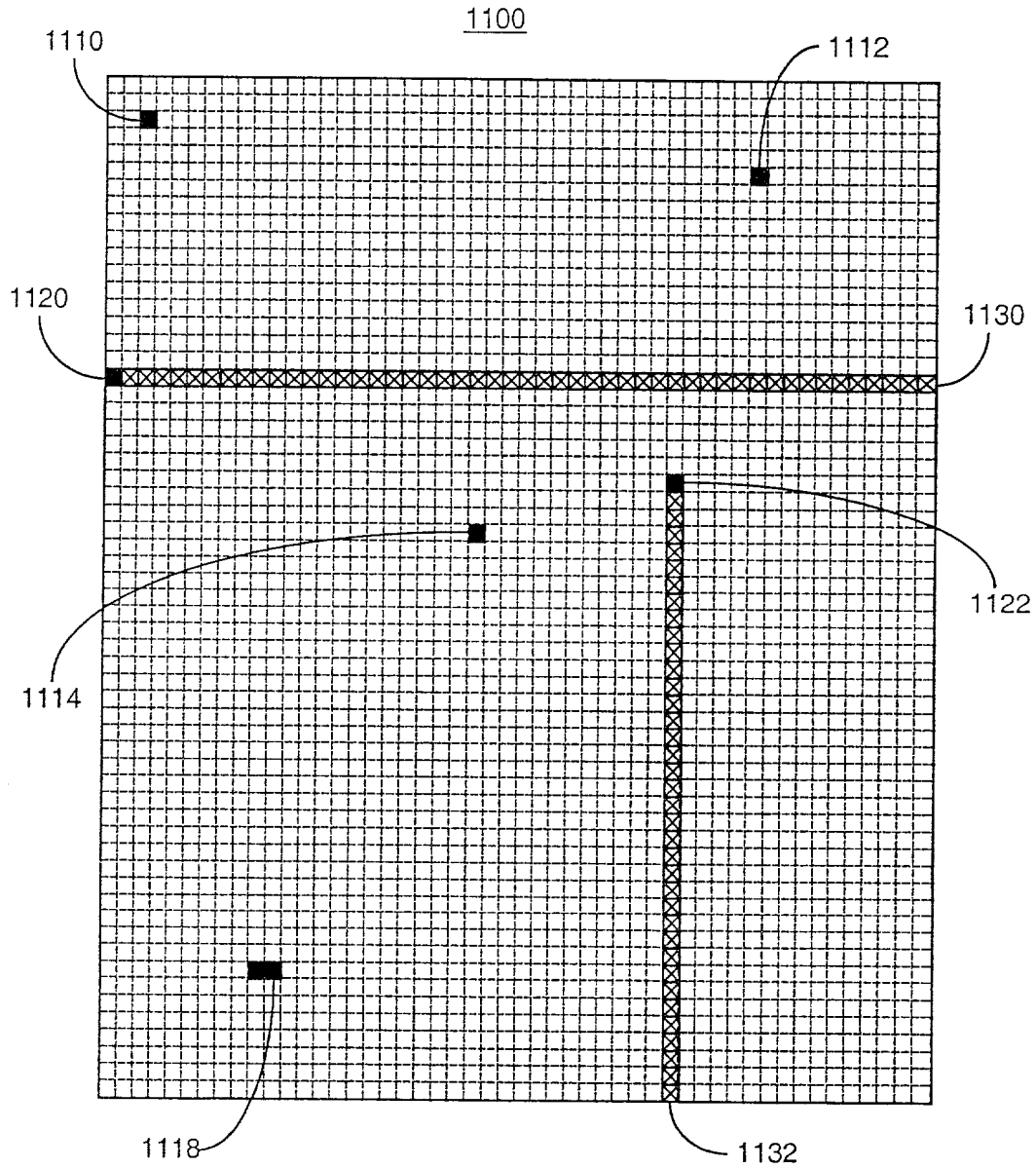


Figure 11

405004 2422660

Filed: October 5, 2001

Inventors: Muradian et al.

Docket No.: HEUR-009CIP

Page 12 of 14

Express mail: ET527025778US

Attorney: Michael A. Blake

Sierra Patent Group, Ltd.

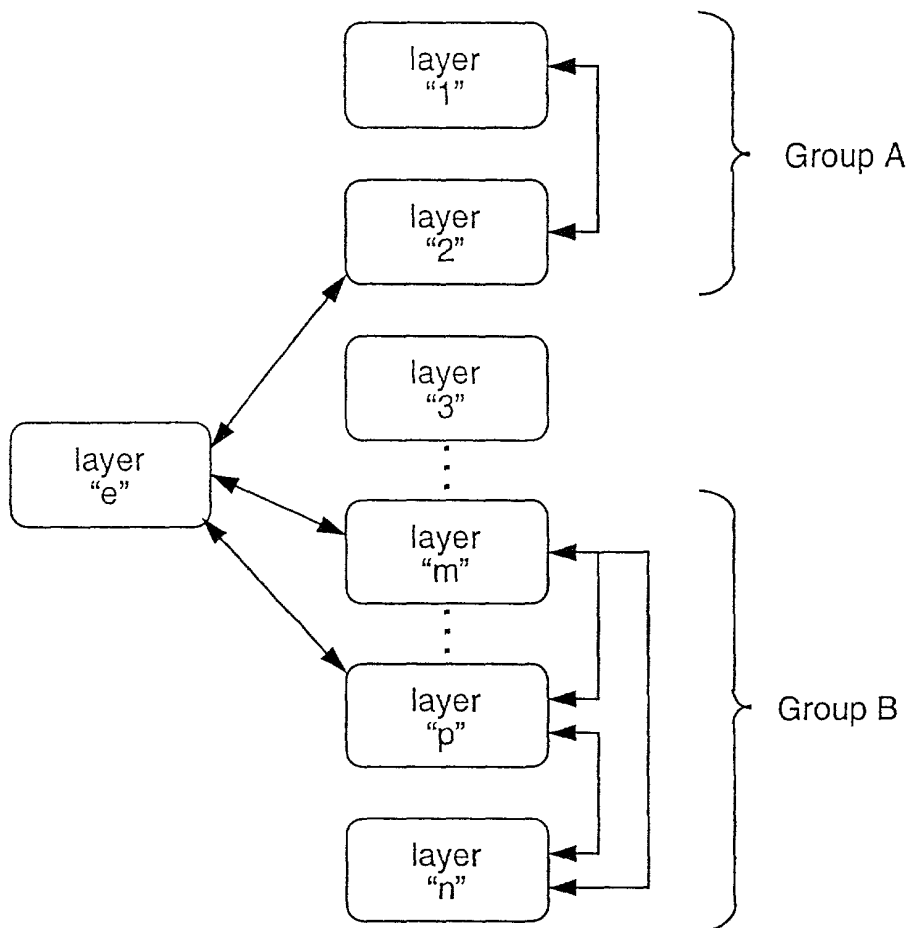


Figure 12

405007" en/2663

Filed: October 5, 2001

Inventors: Muradian et al.

Docket No.: HEUR-009CIP

Page 13 of 14

Express mail: ET527025778US

Attorney: Michael A. Blake

Sierra Patent Group, Ltd.

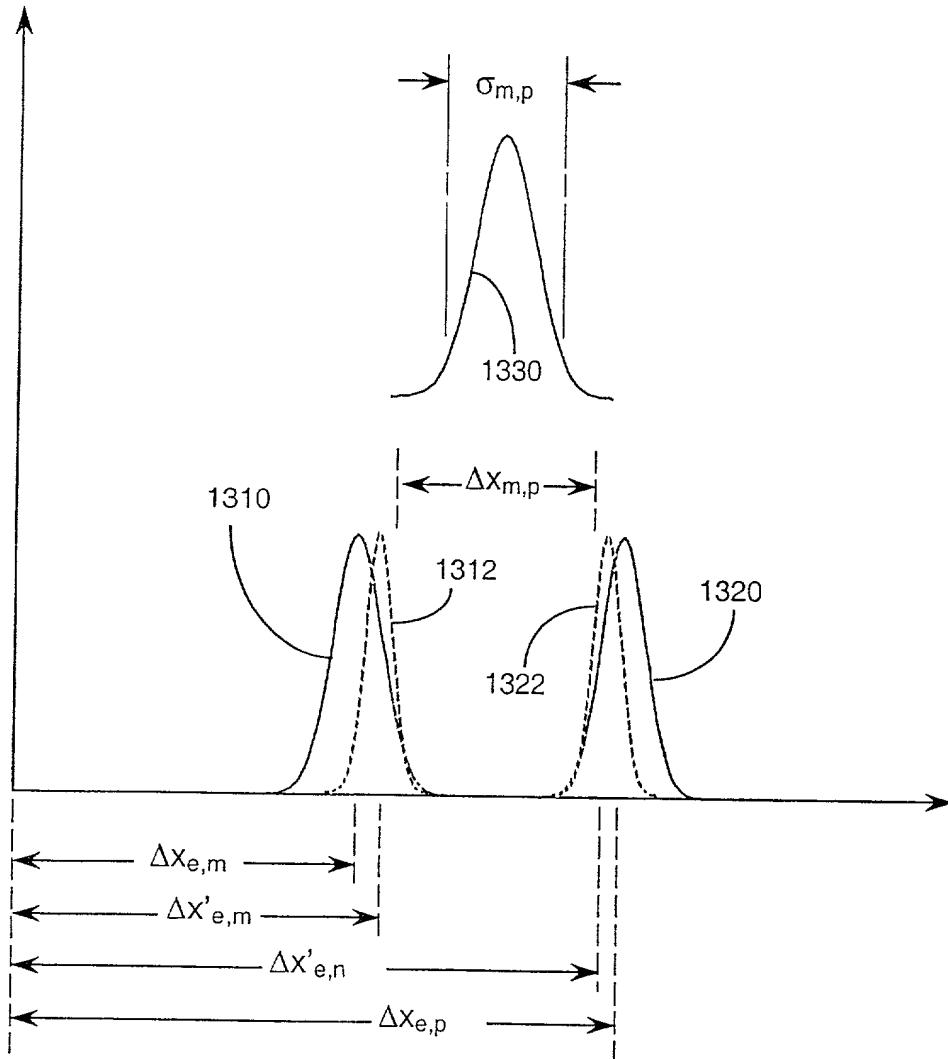


Figure 13

445007-01-0000

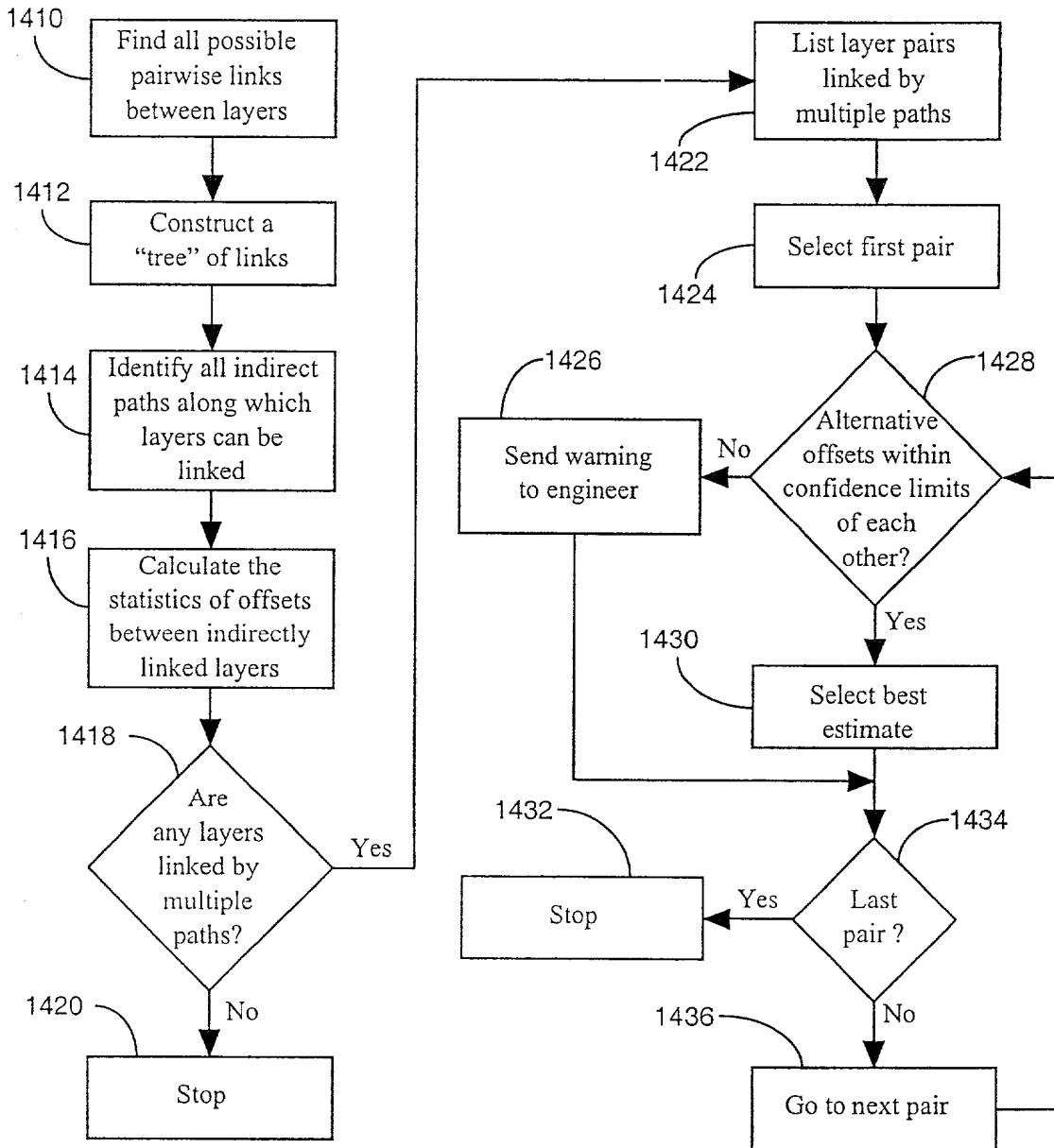


Figure 14